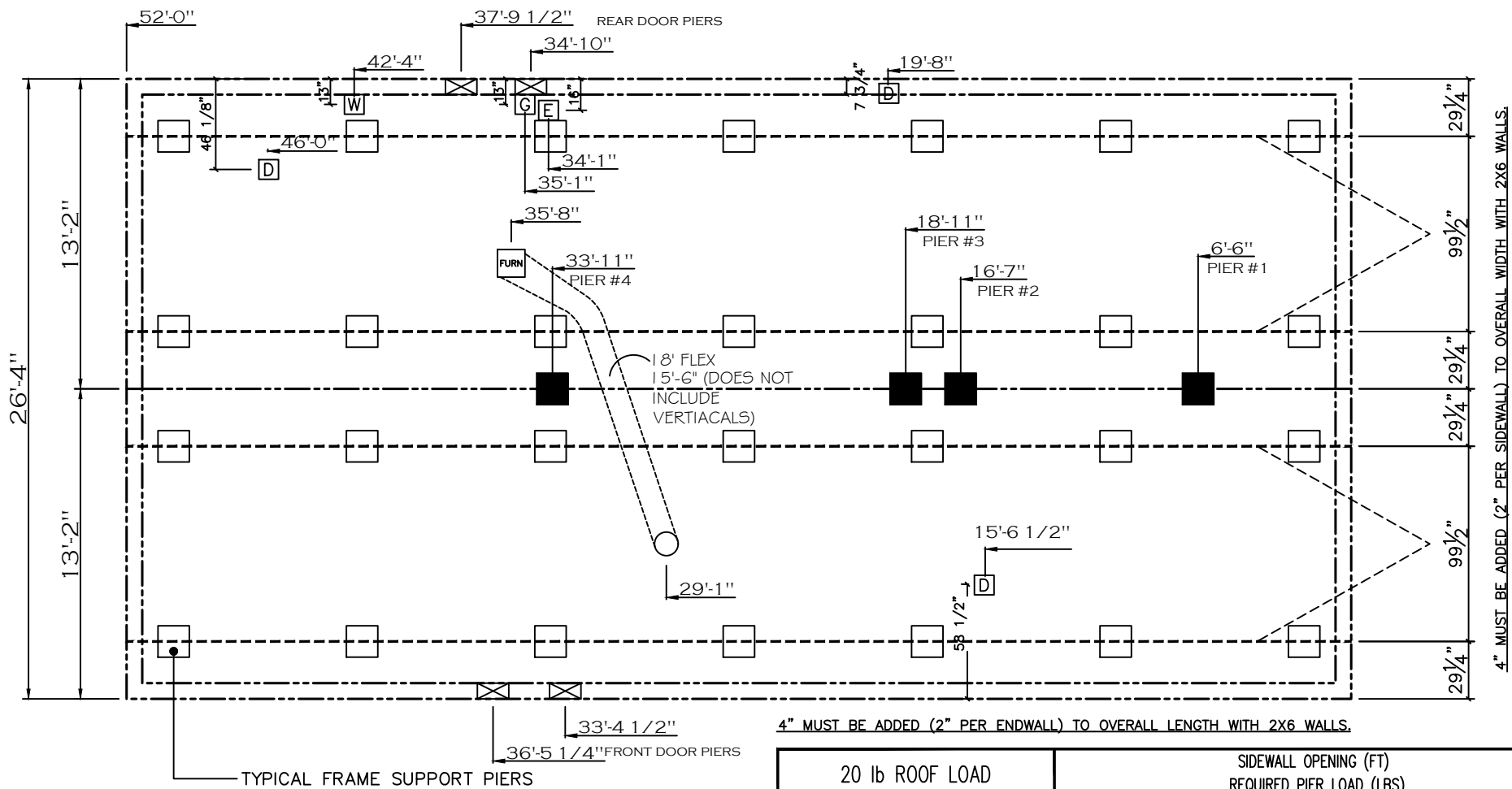
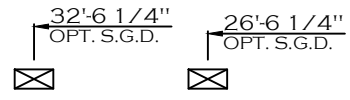


- GENERAL NOTES:**
- PIER LOADS SHOWN ARE TO BE USED TO SIZE THE FOOTINGS BELOW THE MARRIAGEWALL FOR COLUMN SUPPORT PIERS. REFER TO TABLES 6b AND 6c IN THE INSTALLATION MANUAL FOR LOAD ON FRAME PIER FOOTINGS FOR HOMES THAT DO NOT REQUIRE PERIMETER BLOCKING. REFER TO TABLES 7b AND 7c IN THE INSTALLATION MANUAL FOR LOAD ON FRAME PIER FOOTINGS THAT REQUIRE PERIMETER BLOCKING. REFER TO TABLES 10 AND 10a TO DETERMINE FOOTING SIZE FOR ALL PIERS.
 - REFER TO TABLE 9 FOR PIER CONFIGURATION AND MAXIMUM ALLOWABLE HEIGHTS. CROSS REFERENCE THE PIER HEIGHT WITH THE MAXIMUM ALLOWABLE FLOOR HEIGHT LISTED IN THE FRAME TIEDOWN CHARTS (TABLE 18, 19, AND 20).
 - FLOOR WIDTH SHOWN IS FOR STANDARD PRODUCT ONLY. CONTACT THE MFG PLANT FOR SPECIFICATIONS OF OPTIONS ORDERED.
 - SERVICE DROP LOCATIONS IDENTIFIED ARE APPROXIMATE.
 - THE MAXIMUM SPACING FOR FRAME SUPPORT PIERS FOR 8" I-BEAMS IS 8 FEET, 10" & 12" I-BEAMS ARE 10 FEET.

20 psf Roof Live Load		
Column Pier #	Distance from Hitch	Pier Load (lbs)
1	6.833	2326
2	16.583	2326
3	18.917	3363
4	33.917	3363

SERVICE DROP LEGEND	
[E]	ELECTRICAL DROP
[W]	WATER INLET
[D]	DWV PLUMBING DROP
[G]	GAS INLET

PIER LEGEND	
[□]	SUPPORT UNDER MATING OPENING
[■]	SUPPORT AT MATING COLUMN
[▨]	SUPPORT UNDER MATING WALL
[■]	PIER PORCH/RECESSED ENTRY
[□]	PIER MAIN BEAM
[▨]	PIER PERIMETER
[●]	TIE-DOWN SUPPORT (QTY PER TBL M, SEE DETAIL D-6 IN FOUND. PKG.)



20 lb ROOF LOAD SIDEWALL OPENING PIER LOAD 10' BOX WIDTH	SIDEWALL OPENING (FT) REQUIRED PIER LOAD (LBS)					
	3	4	5	6	8	10
	1025	1150	1275	1400	1650	1900

*FOR 30 lb & 40 lb ROOF LOAD REFER TO TABLES 7 & 7a IN THE INSTALLATION MANUAL.

REVISION	DATE	DESCRIPTION

SHEET:	PIER	PIER SET
--------	------	----------

Clayton Clayton - 934
1420 Mountain Rd, Andersonville, TN 37705
PH: 865.494.7800 FAX: 865.494.0243

HILBORN, WERNER, CARTER,
AND ASSOCIATES, INC.
1627 SOUTH MYRTLE AVE.
CLEARWATER, FL. 33756

DRAWING #:	34M241
MODEL #:	TRA28523B
DATE:	07/21/2023
SCALE:	N.T.S.

MODEL:	TRADITION 52B (28'X52')
SERIES:	TRADITION
PRODUCT DESIGNER:	BRIAN K. RIFFEY

STD PLAN "CONDITIONED":	1,369 FT²
REV. BY:	
REV. DATE:	